

# Bi-spectral Infrared Body Temperature Fast Screening Instrument

## USS-TIC500



## Introduction

The dual-view infrared USS-TIC-500 series dual-spectrum infrared body temperature rapid screening instrument is mainly developed based on the principle of infrared thermal radiation. It uses a non-refrigerated core and low signal-noise image processing technology. It is a non-contact, real-time, continuous and accurate Temperature measuring equipment. At the same time, a dedicated software system can be used to visually display the temperature information of the temperature measurement objects. It can be used for entry-exit health quarantine at customs, airports, stations, terminals, land ports, and epidemic prevention in key places such as schools, hospitals, office buildings Control scenes are widely used.

## Key Features

### Thermal imaging function:

- Resolution 384 × 288, high sensitivity detector
- Highest temperature cross cursor positioning
- Supports point, line, rectangle, and irregular area temperature measurement modes
- Support human body temperature abnormal alarm function
- Support automatic capture of moving face targets
- Support wearing a mask to identify the face area to avoid false alarms from non-face high temperature objects

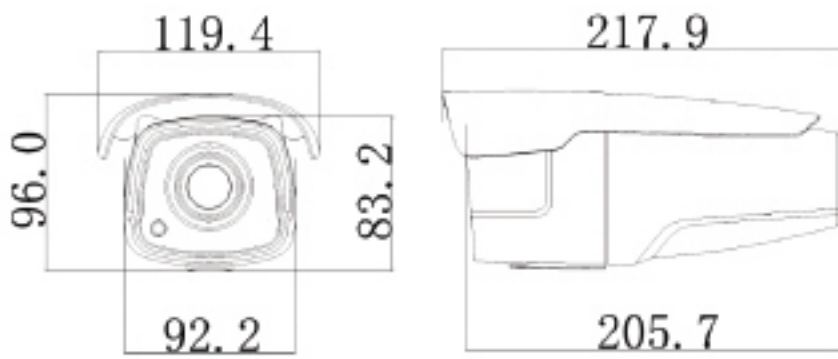
### Visible light phase function:

- 500W high-definition visible light detector
- Supports automatic exposure control and automatic white balance
- Supports face temperature measurement mode, intelligently analyzes face targets and measures body temperature, supports multiple alarm linkages
- Dual light temperature measurement linkage, can draw regular and superimposed temperature measurement information on visible light image

## Specifications

Model	USS-TIC500
<b>Thermal Camera</b>	
Sensor type	Uncooled detector
Sensor pixels	384 × 288
Response band	7.5 ~ 14μm
Pixel pitch	17μm
Optical Transmission Calibration	Manual / Automatic
NETD (Noise Equivalent Temperature Difference)	<50mk (@ 25 ° C, F # = 1.0)
Lens focal length	6.5mm
Field of View	50.8 ° × 37.1 °
Image frame rate	30Hz
Palette	Hot white, black hot, iron red, etc.
<b>Image and Video</b>	
Thermal Image / Video / Visible Light Picture	.jpg (including full temperature data) / Full Temperature Infrared Video / .jpg Visible Light Picture
<b>Visible light camera parameters</b>	
Focal length	2.7mm
Sensor pixels	5 million pixels
<b>Temperature measurement function</b>	
Temperature measurement range	0 ° C-70 ° C
Temperature measurement accuracy	Under the rated working environment conditions, ± 0.4 ° C (without black body) ± 0.3 ° C (with black body)
Temperature measurement area setting	Support global highest temperature, lowest temperature, average temperature tracking, point, line, rectangle, irregular area temperature measurement mode
Over temperature alarm function	Support human body temperature abnormal alarm function, area alarm text, temperature measurement box color can be set, alarm voice prompt
Intelligent features	Support automatic capture of moving face targets
Face area recognition	Support wearing a mask to identify the face area to avoid false alarms from non-face high temperature objects
<b>General specifications</b>	
Power input	DC12V
Power	20W (MAX)
Size (mm)	232mmx112mm × 95mm
Weight	≤2.5Kg
Protection class	IP66
Working temperature and humidity	-20 ° C ~ + 55 ° C, <90% RH

## Dimensions



Unit: mm